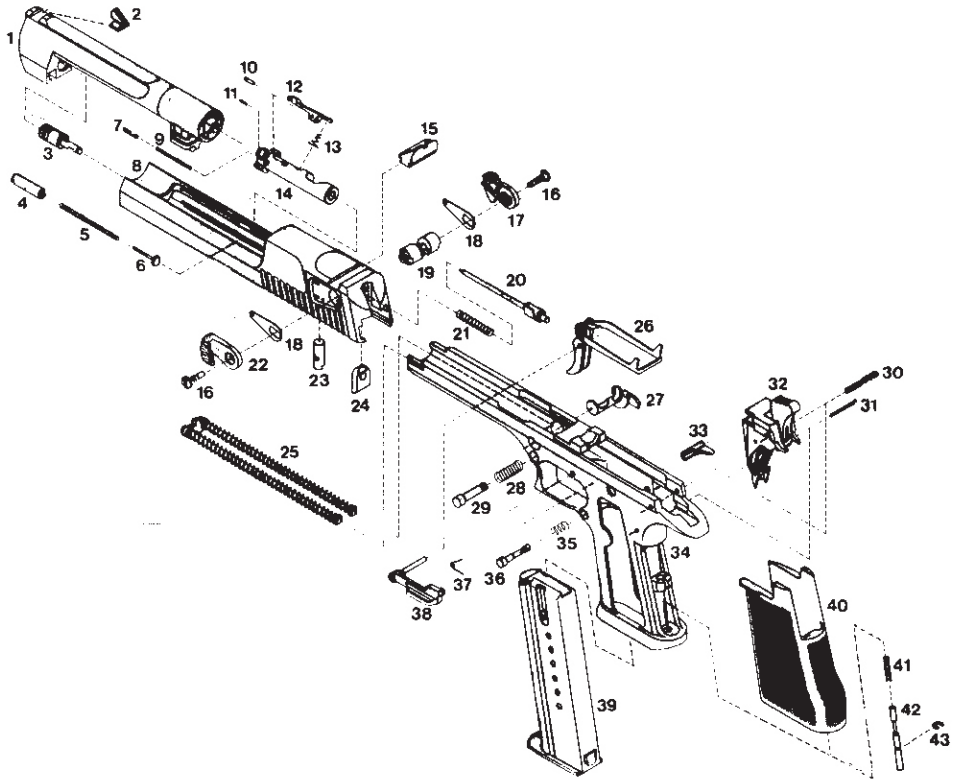


EXPLODED VIEW

DESERT EAGLE .44 Magnum Pistol, Mark I/VII/XIX



PARTS LIST

VIEW NO.	DESCRIPTION	PART NO.
25	RECOIL SPRING ASSEMBLY00025-0160
	- includes the following parts:	
	Recoil Spring Outer00024-1161
	Recoil Spring Plate (Cross piece)00025-0162
	Recoil Spring Rod00025-0163
	Retaining Ring (C-CLIP)00025-0164
	Recoil Spring Inner00025-0165
39	MAGAZINE ASSEMBLY .44	MAG44
	- includes the following parts:	
	Magazine Body00025-0701
	Magazine Cartridge Follower00025-0702
	Magazine Spring00025-0703
	Magazine Base00025-0705
	Spring Support Assembly00025-0710
	Bolt Assembly .44/.50	BOLT4450

Any and all specifications are subject to change at the manufacturer's sole discretion.
Prices subject to change without notice.

PARTS LIST

DESERT EAGLE .44 Magnum Pistol, Mark I/VII/XIX

VIEW NO.	DESCRIPTION	PART NO.			
1	Barrel 6" .44 - MK I/VII	... DEP506			
1-A	Barrel 6" .44 - MK XIX	... BAR446			
2	Front Sight	.00024-1101-5			
3	Gas Piston	.00025-0214			
4	Bolt Stabilizer Pin	.00024-1211			
5	Bolt Stabilizer Spring	.00024-1213			
6	Bolt Stabilizer Guide Pin	.00024-1212			
7	Ejector	.00025-0253			
8	Slide - MK I/VII	.00025-0201			
8-A	Slide - MK XIX	04007-0201			
9	Ejector Spring	.00025-0252			
10	Extractor Pin	.00025-0255			
11	Ejector Pin	.00025-0254			
12	Extractor	.00025-0261			
13	Extractor Spring, Polymer	.04024-1262			
14	Bolt	.00025-0251			
15	Rear Sight	00024-1241			
16	Safety Screw - MK I/VII	.00024-1209			
16-A	Safety Screw - MK XIX	04007-0209			
17	Right Safety Lever	04024-1207			
18	Safety Spring	.00024-1208			
19	Safety - MK I/VII	.00025-0206			
19-A	Left Safety - MK XIX (Not Pictured)	04007-0206			
19-B	Right Safety - MK XIX (Not Pictured)	04007-0216			
20	Firing Pin	.00024-1202			
21	Firing Pin Spring	.00024-1203			
22	Left Safety Lever	04024-1217			
23	Bolt Guide Pin	.00025-0205			
24	Firing Pin Stop	.00025-0204			
25	Recoil Spring Assembly	.00025-0160			
26*	Trigger Assembly	.00024-1340			
27	Barrel Lock	.00024-1302			
28	Barrel Lock Spring	.00024-1304			
29	Barrel Lock Pin	.00024-1303			
30	Hammer Pin	.00024-1312			
31	Sear Pin	.00024-1311			
32*	Adjustable Trigger Assembly - MK VI/XIX	... DEP200			
33	Magazine Catch	.00024-1307			
34	Frame	... N/A			
35	Magazine Catch Spring	.00024-1309			
36	Magazine Catch Pin	.00024-1308			
37	Slide Catch Spring	.00024-1313			
38	Slide Catch	04024-1330			
39	Magazine Assembly	... MAG44			
40	IMI Grip Assembly	.00024-1305			