

**MAGNUM RESEARCH**  
**DESERT EAGLE™ PISTOL PARTS LIST**

# PARTS LIST

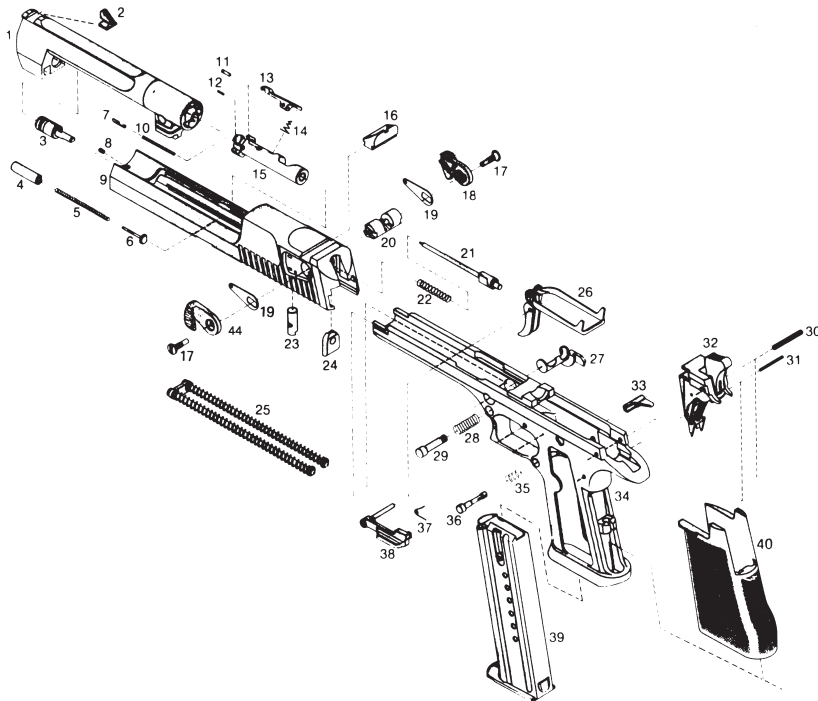
# DESERT EAGLE .357 Magnum Pistol, Mark I/VII/XIX

VIEW NO.	DESCRIPTION	PART NO.			
1	Barrel 6" .357 - MK I/VII	DEP406			
1-A	Barrel 6" .357 - MK XIX	BAR3576			
2	Front Sight	00024-1101-5			
3	Gas Piston - MK I/VII	00024-1214			
3-A	Gas Piston - MK XIX	00025-0214			
4	Bolt Stabilizer Pin	00024-1211			
5	Bolt Stabilizer Spring	00024-1213			
6	Bolt Stabilizer Guide Pin	00024-1212			
7	Ejector - MK I/VII	00024-1253			
7-A	Ejector - MK XIX	04011-0253			
8	Gas Piston Pin - MK I/VII	00024-1215			
9	Slide - MK I/VII	00024-1201			
9-A	Slide - MK XIX	04007-0201			
10	Ejector Spring - MK I/VII	00024-1252			
10-A	Ejector Spring - MK XIX	00025-0252			
11	Extractor Pin - MK I/VII	00024-1255			
11-A	Extractor Pin - MK XIX	00025-0255			
12	Ejector Pin - MK I/VII	00024-1254			
12-A	Ejector Pin - MK XIX	00025-0254			
13	Extractor - MK I/VII	00024-1261			
13-A	Extractor - MK XIX	04011-0261			
14	Extractor Spring, Polymer	04024-1262			
15	Bolt - MK I/VII	00024-1251			
15-A	Bolt - MK XIX	04011-0251			
16	Rear Sight	00024-1241			
17	Safety Screw - MK I/VII	00024-1209			
17-A	Safety Screw - MK XIX	04007-0209			
18	Right Safety Lever - MK VII/XIX	04024-1207			
44	Left Safety Lever - MK VII/XIX	04024-1217			
19	Safety Spring	00024-1208			
20	Safety - MK I/VII	00024-1206			
20-A	Right Safety - MK XIX (Not Pictured)	04007-0216			
20-B	Left Safety - MK XIX (Not Pictured)	04007-0206			
21	Firing Pin	00024-1202			
22	Firing Pin Spring	00024-1203			
23	Bolt Guide Pin - MK I/VII	00024-1205			
23-A	Bolt Guide Pin - MK XIX	00025-0205			
24	Firing Pin Stop - MK I/VII	00024-1204			
24-A	Firing Pin Stop - MK XIX	00025-0204			
25	Recoil Spring Assembly - MK I/VII	00024-1160			
25-A	Recoil Spring Assembly - MK XIX	00025-0160			
26*	Trigger Assembly	00024-1340			
27	Barrel Lock	00024-1302			
28	Barrel Lock Spring	00024-1304			
29	Barrel Lock Pin	00024-1303			
30	Hammer Pin	00024-1312			
31	Sear Pin	00024-1311			
32*	Adjustable Trigger Assembly - MK VII/XIX	DEP200			
33	Magazine Catch	00024-1307			
34	Frame	N/A			
35	Magazine Catch Spring	00024-1309			
36	Magazine Catch Pin	00024-1308			
37	Slide Catch Spring	00024-1313			
38	Slide Catch - MK VII/XIX	04024-1330			
39	Magazine Assembly	MAG357			
40	IMI Grip Assembly	00024-1305			

\*See page 11 for the breakdown of parts.

# EXPLODED VIEW

# DESERT EAGLE .357 Magnum Pistol, Mark I/VII



## PARTS LIST

## DESERT EAGLE .357 Magnum Pistol, Mark I/VII/XIX

VIEW NO.	DESCRIPTION	PART NO.				
25	RECOIL SPRING ASSEMBLY - MK I/VII . . . . .	00024-1160				
	RECOIL SPRING ASSEMBLY - MK XIX . . . . .	00025-0160				
	- includes the following parts: . . . . .					
	Recoil Spring Outer . . . . .	00024-1161				
	Recoil Spring Plate (Cross piece) - MK I/VII . . . . .	00024-1162				
	Recoil Spring Plate (Cross piece) - MK XIX . . . . .	00025-0162				
	Recoil Spring Rod - MK I/VII . . . . .	00024-1163				
	Recoil Spring Rod - MK XIX . . . . .	00025-0163				
	Retaining Ring (C-CLIP) - MK I/VII . . . . .	00024-1164				
	Retaining Ring (C-CLIP) - MK XIX . . . . .	00025-0164				
	Recoil Spring Inner - MK XIX (ONLY) . . . . .	00025-0165				
39	<b>MAGAZINE ASSEMBLY .357 . . . . .</b>	<b>MAG357</b>				
	- includes the following parts: . . . . .					
	Magazine Body . . . . .	00024-1701				
	Magazine Cartridge Follower . . . . .	00024-1702				
	Magazine Spring . . . . .	00024-1703				
	Spring Support . . . . .	00024-1704				
	Magazine Base . . . . .	00024-1705				
	. . . . .					
	Bolt Assembly .357 - MK I/VII . . . . .	00024-1250				
	Bolt Assembly .357 - MK XIX . . . . .	BOLT357				

Any and all specifications are subject to change at the manufacturer's sole discretion.

Prices subject to change without notice.

# PARTS LIST

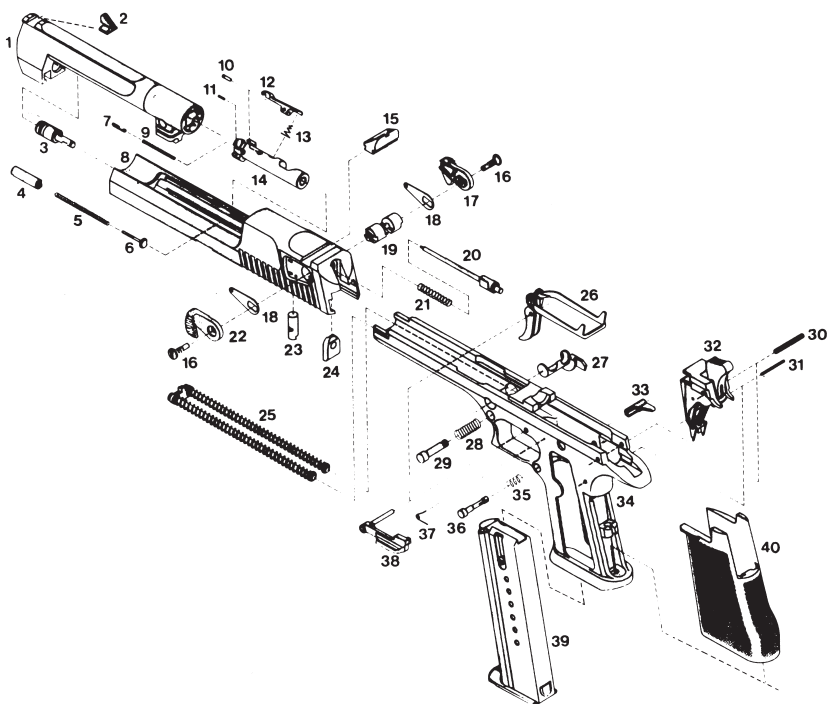
# DESERT EAGLE .41 Magnum Pistol, Mark VII

VIEW NO.	DESCRIPTION	PART NO.				
1	Barrel 6" .41- MK VII	DEP606				
2	Front Sight	00024-1101-5				
3	Gas Piston	00025-0214				
4	Bolt Stabilizer Pin	00024-1211				
5	Bolt Stabilizer Spring	00024-1213				
6	Bolt Stabilizer Guide Pin	00024-1212				
7	Ejector	00025-0253				
8	Slide	00025-0201				
9	Ejector Spring	00025-0252				
10	Extractor Pin	00025-0255				
11	Ejector Pin	00025-0254				
12	Extractor	00028-0261				
13	Extractor Spring, Polymer	04024-1262				
14	Bolt	00028-0251				
15	Rear Sight	00024-1241				
16	Safety Screw	00024-1209				
17	Right Safety Lever	04024-1207				
18	Safety Spring	00024-1208				
19	Safety	00025-0206				
20	Firing Pin	00024-1202				
21	Firing Pin Spring	00024-1203				
22	Left Safety Lever	04024-1217				
23	Bolt Guide Pin	00025-0205				
24	Firing Pin Stop	00025-0204				
25	Recoil Spring Assembly	00025-0160				
26*	Trigger Assembly	00024-1340				
27	Barrel Lock	00024-1302				
28	Barrel Lock Spring	00024-1304				
29	Barrel Lock Pin	00024-1303				
30	Hammer Pin	00024-1312				
31	Sear Pin	00024-1311				
32*	Adjustable Trigger Assembly - MK VII	DEP 200				
33	Magazine Catch	00024-1307				
34	Frame	N/A				
35	Magazine Catch Spring	00024-1309				
36	Magazine Catch Pin	00024-1308				
37	Slide Catch Spring	00024-1313				
38	Slide Catch	04024-1330				
39	Magazine Assembly	DEP141BL				
40	IMI Grip Assembly	00024-1305				

\*See page 11 for the breakdown of parts.

# EXPLODED VIEW

# DESERT EAGLE .41 Magnum Pistol, Mark VII



## PARTS LIST

## DESERT EAGLE .41 Magnum Pistol, Mark VII

VIEW NO.	DESCRIPTION	PART NO.				
25	<b>RECOIL SPRING ASSEMBLY</b> .....	<b>00025-0160</b>				
	- includes the following parts: .....					
	Recoil Spring Outer .....	00024-1161				
	Recoil Spring Plate (Cross piece) .....	00025-0162				
	Recoil Spring Rod .....	00025-0163				
	Retaining Ring (C-CLIP) .....	00025-0164				
	Recoil Spring Inner .....	00025-0165				
39	<b>MAGAZINE ASSEMBLY .41</b> .....	<b>DEP141BL</b>				
	- includes the following parts: .....					
	Magazine Body .....	00028-0701				
	Magazine Cartridge Follower .....	00025-0702				
	Magazine Spring .....	00025-0703				
	Magazine Base .....	00025-0705				
	Spring Support Assembly .....	00025-0710				
	Bolt Assembly .41 .....	00028-0250				

Any and all specifications are subject to change at the manufacturer's sole discretion.

Prices subject to change without notice.

# PARTS LIST

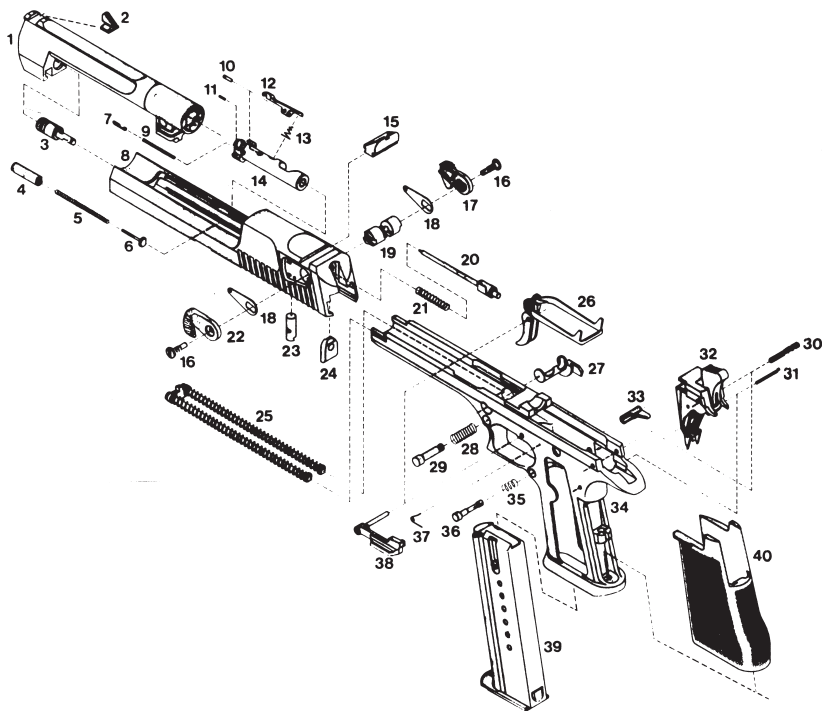
# DESERT EAGLE .44 Magnum Pistol, Mark I/VII/XIX

VIEW NO.	DESCRIPTION	PART NO.				
1	Barrel 6" .44 - MK I/VII	DEP506				
1-A	Barrel 6" .44 - MK XIX	BAR446				
2	Front Sight	00024-1101-5				
3	Gas Piston	00025-0214				
4	Bolt Stabilizer Pin	00024-1211				
5	Bolt Stabilizer Spring	00024-1213				
6	Bolt Stabilizer Guide Pin	00024-1212				
7	Ejector	00025-0253				
8	Slide - MK I/VII	00025-0201				
8-A	Slide - MK XIX	04007-0201				
9	Ejector Spring	00025-0252				
10	Extractor Pin	00025-0255				
11	Ejector Pin	00025-0254				
12	Extractor	00025-0261				
13	Extractor Spring, Polymer	04024-1262				
14	Bolt	00025-0251				
15	Rear Sight	00024-1241				
16	Safety Screw - MK I/VII	00024-1209				
16-A	Safety Screw - MK XIX	04007-0209				
17	Right Safety Lever	04024-1207				
18	Safety Spring	00024-1208				
19	Safety - MK I/VII	00025-0206				
19-A	Left Safety - MK XIX (Not Pictured)	04007-0206				
19-B	Right Safety - MK XIX (Not Pictured)	04007-0216				
20	Firing Pin	00024-1202				
21	Firing Pin Spring	00024-1203				
22	Left Safety Lever	04024-1217				
23	Bolt Guide Pin	00025-0205				
24	Firing Pin Stop	00025-0204				
25	Recoil Spring Assembly	00025-0160				
26*	Trigger Assembly	00024-1340				
27	Barrel Lock	00024-1302				
28	Barrel Lock Spring	00024-1304				
29	Barrel Lock Pin	00024-1303				
30	Hammer Pin	00024-1312				
31	Sear Pin	00024-1311				
32*	Adjustable Trigger Assembly - MK VI/XIX	DEP200				
33	Magazine Catch	00024-1307				
34	Frame	N/A				
35	Magazine Catch Spring	00024-1309				
36	Magazine Catch Pin	00024-1308				
37	Slide Catch Spring	00024-1313				
38	Slide Catch	04024-1330				
39	Magazine Assembly	MAG44				
40	IMI Grip Assembly	00024-1305				

\*See page 11 for the breakdown of parts.

# EXPLODED VIEW

# DESERT EAGLE .44 Magnum Pistol, Mark I/VII



## PARTS LIST

## DESERT EAGLE .44 Magnum Pistol, Mark I/VII/XIX

VIEW NO.	DESCRIPTION	PART NO.				
25	<b>RECOIL SPRING ASSEMBLY</b> .....	<b>00025-0160</b>				
	- includes the following parts: .....					
	Recoil Spring Outer .....	00024-1161				
	Recoil Spring Plate (Cross piece) .....	00025-0162				
	Recoil Spring Rod .....	00025-0163				
	Retaining Ring (C-CLIP) .....	00025-0164				
	Recoil Spring Inner .....	00025-0165				
39	<b>MAGAZINE ASSEMBLY .44</b> .....	<b>MAG44</b>				
	- includes the following parts: .....					
	Magazine Body .....	00025-0701				
	Magazine Cartridge Follower .....	00025-0702				
	Magazine Spring .....	00025-0703				
	Magazine Base .....	00025-0705				
	Spring Support Assembly .....	00025-0710				
	Bolt Assembly .44/.50 .....	BOLT4450				

Any and all specifications are subject to change at the manufacturer's sole discretion.  
Prices subject to change without notice.

# PARTS LIST

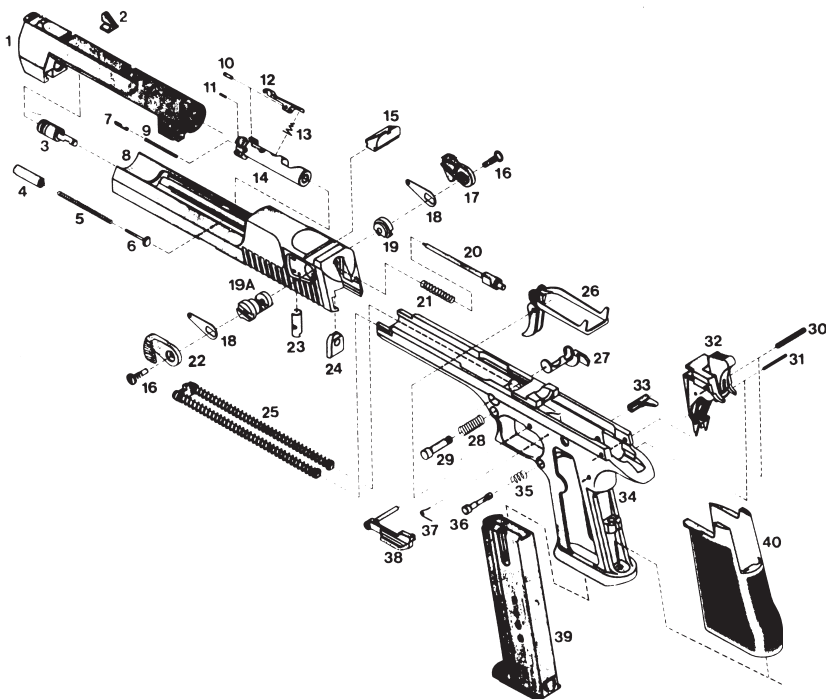
# DESERT EAGLE .50AE Pistol, Mark XIX

VIEW NO.	DESCRIPTION	PART NO.				
1	Barrel 6" .50AE - MK XIX	BAR506				
2	Front Sight	00024-1101-5				
3	Gas Piston	00025-0214				
4	Bolt Stabilizer Pin	00024-1211				
5	Bolt Stabilizer Spring	00024-1213				
6	Bolt Stabilizer Guide Pin	00024-1212				
7	Ejector	00025-0253				
8	Slide	04007-0201				
9	Ejector Spring	00025-0252				
10	Extractor Pin	00025-0255				
11	Ejector Pin	00025-0254				
12	Extractor	00025-0261				
13	Extractor Spring, Polymer	04024-1262				
14	Bolt	00025-0251				
15	Rear Sight	00024-1241				
16	Safety Screw	04007-0209				
17	Right Safety Lever	04024-1207				
18	Safety Spring	00024-1208				
19	Right Safety	04007-0216				
19-A	Left Safety	04007-0206				
20	Firing Pin	00024-1202				
21	Firing Pin Spring	00024-1203				
22	Left Safety Lever	04024-1217				
23	Bolt Guide Pin	00025-0205				
24	Firing Pin Stop	00025-0204				
25	Recoil Spring Assembly	00025-0160				
26*	Trigger Assembly	00024-1340				
27	Barrel Lock	00024-1302				
28	Barrel Lock Spring	00024-1304				
29	Barrel Lock Pin	00024-1303				
30	Hammer Pin	00024-1312				
31	Sear Pin	00024-1311				
32*	Adjustable Trigger Assembly	DEP200				
33	Magazine Catch	00024-1307				
34	Frame	N/A				
35	Magazine Catch Spring	00024-1309				
36	Magazine Catch Pin	00024-1308				
37	Slide Catch Spring	00024-1313				
38	Slide Catch	04024-1330				
39	Magazine Assembly	MAG50				
40	IMI Grip Assembly	00024-1305				

\*See page 11 for the breakdown of parts.

# EXPLODED VIEW

# DESERT EAGLE .50AE Pistol, Mark XIX



## PARTS LIST

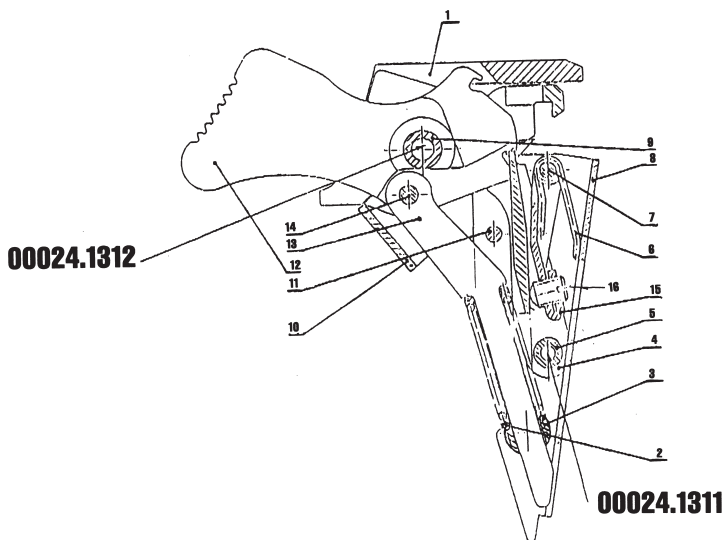
## DESERT EAGLE .50AE Pistol, Mark XIX

VIEW NO.	DESCRIPTION	PART NO.				
25	<b>RECOIL SPRING ASSEMBLY</b> .....	<b>00025-0160</b>				
	- includes the following parts: .....					
	Recoil Spring Outer .....	00024-1161				
	Recoil Spring Plate (Cross piece) .....	00025-0162				
	Recoil Spring Rod .....	00025-0163				
	Retaining Ring (C-CLIP) .....	00025-0164				
	Recoil Spring Inner .....	00025-0165				
39	<b>MAGAZINE ASSEMBLY .440/.50</b> .....	<b>MAG50</b>				
	- includes the following parts: .....					
	Magazine Body .....	04007-0701				
	Magazine Cartridge Follower .....	04007-0720				
	Magazine Spring .....	04007-0703				
	Magazine Base .....	00025-0705				
	Spring Support Assembly .....	00025-0710				
	Bolt Assembly .44/.50 .....	BOLT4450				

Any and all specifications are subject to change at the manufacturer's sole discretion.

Prices subject to change without notice.

# EXPLODED VIEW/ DESERT EAGLE Adjustable Trigger Assembly



## PARTS LIST

## DESERT EAGLE Adjustable Trigger Assembly

VIEW NO.	DESCRIPTION	PART NO.			
32	Adjustable Trigger Assembly - includes the following parts:	DEP200			
1	Hammer Housing	00024-1351			
2	Hammer Spring	00024-1352			
3	Hammer Spring Retainer	00024-1353			
4	Sear	00024-1354			
5	Sear Insert	00024-1355			
6	Sear Spring	00029-1856			
7	Sear Pin	00024-1357			
8	Mechanism Housing	00029-1861			
9	Hammer Insert	00024-1362			
10	Hammer Assembly Cover	00024-1363			
11	Mechanism Housing Pin	00024-1364			
12	Hammer	00024-1381			
13	Hammer Bar	00024-1382			
14	Hammer Bar Pin	00024-1383			
15	Adjustable Spring Assembly	00029-1865			
16	Set Screw	00029-1867			

## PARTS LIST

## DESERT EAGLE Trigger Assembly

VIEW NO.	DESCRIPTION	PART NO.			
26	Trigger Assembly - includes the following parts:	00024-1340			
	Trigger	00024-1341			
	Trigger Pin	00024-1342			
	Trigger Spring	00024-1343			
	Trigger Bar	00024-1344			

Any and all specifications are subject to change at the manufacturer's sole discretion.

Prices subject to change without notice.

# Distinction between the Mark I, Mark VII, and Mark XIX Desert Eagle™ Pistols

## The Mark I Desert Eagle™ Pistols

Barrel, all have a 3/8” dovetail on top.

Slide Assembly, the slide is physically smaller in size from Mark XIX, to accommodate specific caliber barrels.

Frame, with plastic IMI grips, no difference in size.

Trigger, standard (not adjustable).

Appointments, safety levers are teardrop shaped; slide catch/release has single serration.

Calibers, .357 Magnum and .44 Magnum.

## The Mark VII Desert Eagle™ Pistols

Barrel, all have a 3/8” dovetail on top.

Slide Assembly, the slide is physically smaller in size from Mark XIX, to accommodate specific caliber barrels.

Frame, with plastic IMI grips, no difference in size.

Trigger, adjustable trigger.

Appointments, safety levers are hooked-shaped; slide catch/release lever has three steps for ease of operation.

Calibers, .357 Magnum, .41 Magnum, .44 Magnum.

## The Mark XIX Desert Eagle™ Pistols

Barrel, all have a 7/8” Weaver style dovetail on top, as well as two cross-slots.

Slide Assembly, the slide is physically larger in size from Mark VII, to accommodate the barrels with the 7/8” dovetail.

Frame, with plastic IMI grips, no difference in size.

Trigger, adjustable trigger.

Appointments, safety levers are hooked-shaped; slide catch/release lever has three steps for ease of operation.

Calibers, .357 Magnum, .44 Magnum, (.440 Cor® Bon was a limited production) and .50AE.

All Desert Eagle pistols are currently manufactured in Israel for Magnum Research, Inc. by IMI.

Questions on Desert Eagle pistol spare parts, accessories or conversions call Magnum Research’s Customer Service Department at 1-763-574-1868, Monday-Friday, 8:30-4:30 CST.

**Any and all specifications are subject to change at the manufacturer’s sole discretion.**

The Desert Eagle is a semi-automatic pistol based on a non-adjustable gas system. "In order to function properly, only suitable ammunition shall be used."

The following types of ammunition were found adequate for use in the Desert Eagle pistols of caliber. This list is a recommended list only, other types of ammunition might function as well as any of these do. NO LEAD BULLETS.

### **.44 Magnum - Mark I, VII, XIX**

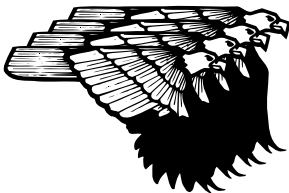
MANUFACTURER	BULLET WEIGHT	CATALOG NUMBER	DESCRIPTION
American Eagle . . .	240	AE44A	JHP
Federal Classic . . .	240	C44A	JHP
Federal Premium			
Hydra-Shok . . . . .	240	P44HSA	JHP
Gold Dot . . . . .	270	23968	GDSP
PMC Starfire . . . . .	240	44SFA	SFHP
PMC . . . . .	240	44C	JHP
PMC Target . . . . .	240	44D	TCSP
Remington Core-Lokt.	275	RH44MGA	JHP
Remington . . . . .	240	RHA44M2	JSP
Remington . . . . .	240	RH44MG3	JHP
Remington . . . . .	180	RH44MG5	JHP
Winchester . . . . .	240	X44MSTHP2	JHP
Winchester . . . . .	210	XX44MSTHP2	JHP
UMC . . . . .	180	L44MG7	JHP

### **.50AE Magnum - Mark XIX**

MANUFACTURER	BULLET WEIGHT	CATALOG NUMBER	DESCRIPTION
Blount/MRI . . . . .	300	DEP50JHP300B	JHP
Blount/MRI . . . . .	350	DEP50JSP350B	JSP
CCI Lawnman . . . . .	325	3977	SJHP
Samson Ultra . . . . .	300	.50-60D	SJSP
Samson Ultra . . . . .	300	.50-60B	SJHP

### **.357 Magnum - Mark I, VII, XIX**

MANUFACTURER	BULLET WEIGHT	CATALOG NUMBER	DESCRIPTION
CCI . . . . .	158	3959	SJSP
Federal Hyda-Shok	158	P357HS1	SJHP
Federal . . . . .	158	357A	SJSP
Federal . . . . .	158	357E	SJHP
American Eagle . . .	158	AE357A	SJSP
Hornady Frontier . .	158	9056	SJHP
Hornady Frontier . .	158	9058	SJHP
PMC . . . . .	158	357A	SJHP
Remington . . . . .	158	R357M2	SJHP
Remington . . . . .	158	R357M3	SJHP
Winchester . . . . .	158	X3574P	SJHP
Winchester . . . . .	158	X3575P	SJSP



## **MAGNUM RESEARCH, INC.**

7110 University Avenue N.E.

Minneapolis, MN 55432

(763) 574-1868 ▪ Fax: (763) 574-0109